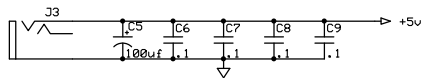
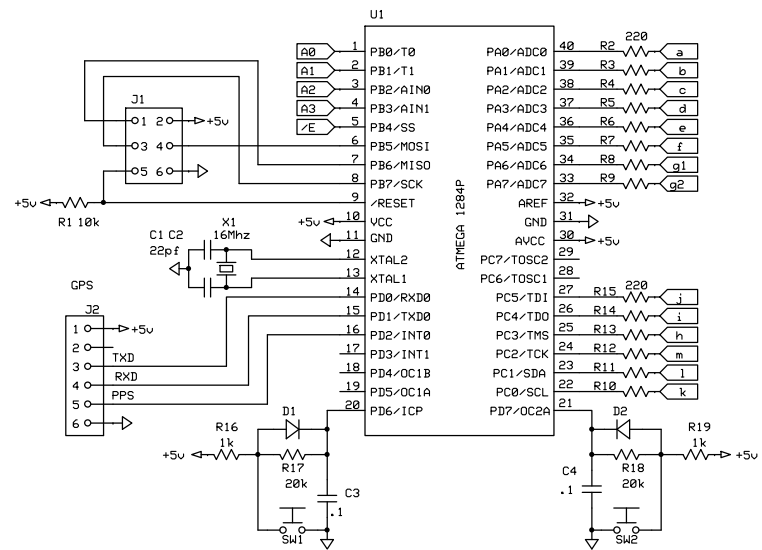


FLAGS
 Ext = 0xFD
 High = 0xD9
 Low = 0xF7



TMD Innovations		
Seven Segment Binary Clock		
Len Bayles	Rev 1.0 3/20/2016	Processor